
BITT POLYTECHNIC, RANCHI

DEPARTMENT OF ELECTRONICS & COMMUNICATION ENGINEERING

PROTOCOLS & STANDARD

Protocol

In computer networks, communication occurs between entities in different systems. An entity is anything capable of sending or receiving information. However, two entities cannot simply send bit streams to each other and expect to be understood. For communication to occur, the entities must agree on a protocol. A protocol is a set of rules that govern data communications. A protocol defines what is communicated, how it is communicated, and when it is communicated.

The key elements of a protocol are *syntax, semantics, and timing*.

- **Syntax:** The term *syntax* refers to the structure or format of the data, meaning the order in which they are presented. For example, a simple protocol might expect the first 8 bits of data to be the address of the sender, the second 8 bits to be the address of the receiver, and the rest of the stream to be the message itself.
- **Semantics:** The word *semantics* refers to the meaning of each section of bits. How is a particular pattern to be interpreted, and what action is to be taken based on that interpretation? For example, does an address identify the route to be taken or the final destination of the message?
- **Timing:** The term *timing* refers to two characteristics: when data should be sent and how fast they can be sent. For example, if a sender produces data at 100 Mbps but the receiver can process data at only 1 Mbps, the transmission will overload the receiver and some data will be lost.

Standard

Standards are essential in creating and maintaining an open and competitive market for equipment manufacturers and in guaranteeing national and international interoperability of data and telecommunications technology and processes. Standards provide guidelines to manufacturers, vendors, government agencies, and other service providers to ensure the kind of interconnectivity necessary in today's marketplace and in international communications.

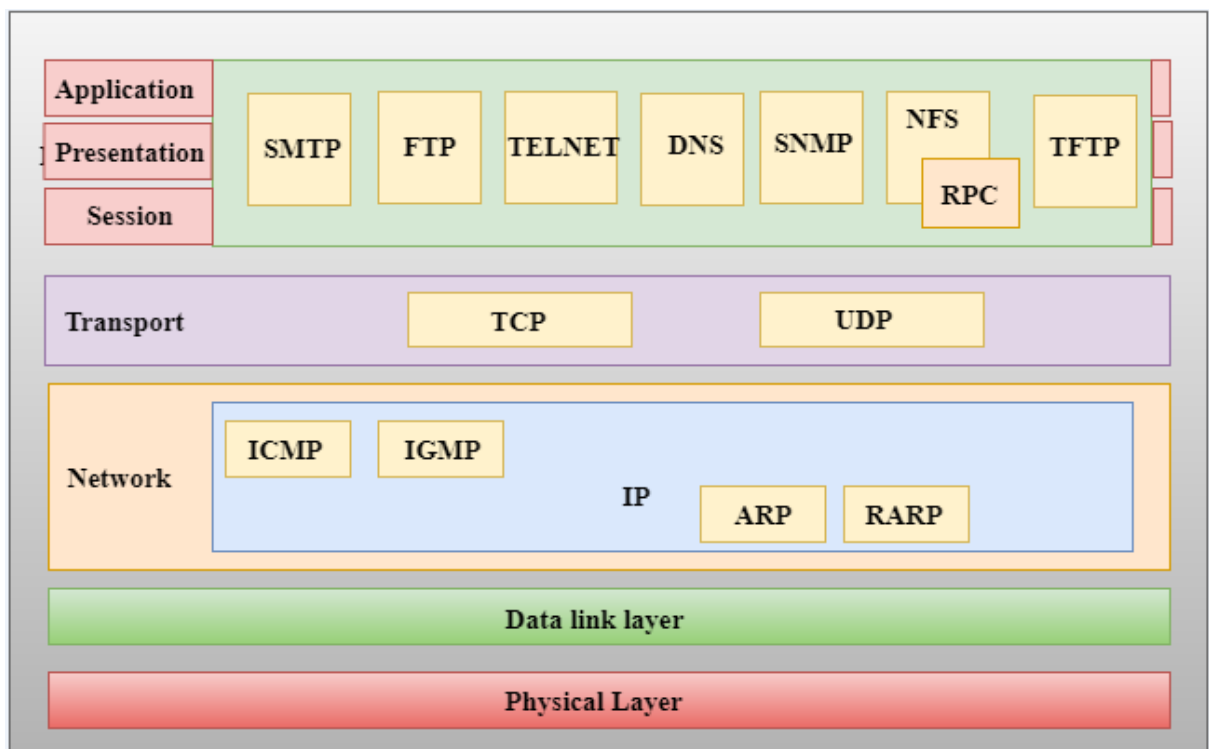
Data communication standards fall into two categories: **i) *de facto*** (meaning "by fact" or "by convention") and **ii) *de jure*** (meaning "by law" or "by regulation").

- **De facto:** Standards that have not been approved by an organized body but have been adopted as standards through widespread use are de facto standards. De facto standards are often established originally by manufacturers who seek to define the functionality of a new product or technology.
- **De jure:** Those standards that have been legislated by an officially recognized body are de jure standards.

TCP/IP (Transmission Control Protocol/ Internet Protocol)

- The TCP/IP model was developed in 1960 prior to the OSI model
- The TCP/IP model is not exactly similar to the OSI model.
- The TCP/IP model consists of five layers: i) Application layer
 - ii) Transport layer
 - iii) Network layer
 - iv) Data link layer
 - v) Physical layer.
- TCP/IP is a hierarchical protocol made up of interactive modules, and each of them provides specific functionality.

Here, hierarchical means that each upper-layer protocol is supported by two or more lower-level protocols.



i) Network Access Layer

- A network access layer is the **combination of the Physical layer and Data Link layer** defined in the OSI reference model.
- A network access layer is the lowest layer of the TCP/IP model
- It defines how the data should be sent physically through the network.
- This layer is mainly responsible for the transmission of the data between two devices on the same network.
- The functions carried out by this layer are encapsulating the IP datagram into frames transmitted by the network and mapping of IP addresses into physical addresses.
- The protocols used by this layer are ethernet, token ring, FDDI, X.25, frame relay.

ii) Network Layer

- An internet layer is the second layer of the TCP/IP model.
- An internet layer is also known as the internet layer.
- The main responsibility of the internet layer is to send the packets from any network, and they arrive at the destination irrespective of the route they take.

Following are the protocols used in this layer are:

- a) **IP Protocol:** IP protocol is used in this layer, and it is the most significant part of the entire TCP/IP suite.

Following are the responsibilities of this protocol:

- **IP Addressing:** This protocol implements logical host addresses known as IP addresses. The IP addresses are used by the internet and higher layers to identify the device and to provide internetwork routing.
- **Host-to-host communication:** It determines the path through which the data is to be transmitted.
- **Data Encapsulation and Formatting:** An IP protocol accepts the data from the transport layer protocol. An IP protocol ensures that the data is sent and received securely, it encapsulates the data into message known as IP datagram.
- **Fragmentation and Reassembly:** The limit imposed on the size of the IP datagram by data link layer protocol is known as Maximum Transmission unit (MTU). If the size of IP datagram is greater than the MTU unit, then the IP protocol splits the datagram into smaller units so that they can travel over the local network. Fragmentation can be done by the sender or intermediate router. At the receiver side, all the fragments are reassembled to form an original message.
- **Routing:** When IP datagram is sent over the same local network such as LAN, MAN, WAN, it is known as direct delivery. When source and destination are on the distant network, then the IP datagram is sent indirectly. This can be accomplished by routing the IP datagram through various devices such as routers.

b) ARP Protocol

- ARP stands for **Address Resolution Protocol**.
- ARP is a network layer protocol which is used to find the physical address from the IP address.
- **The two terms are mainly associated with the ARP Protocol:**
 - **ARP request:** When a sender wants to know the physical address of the device, it broadcasts the ARP request to the network.
 - **ARP reply:** Every device attached to the network will accept the ARP request and process the request, but only recipient recognize the IP address and sends back its physical address in the form of ARP reply. The recipient adds the physical address both to its cache memory and to the datagram header

c) ICMP Protocol

- **ICMP** stands for Internet Control Message Protocol.
- It is a mechanism used by the hosts or routers to send notifications regarding datagram problems back to the sender.

- A datagram travels from router-to-router until it reaches its destination. If a router is unable to route the data because of some unusual conditions such as disabled links, a device is on fire or network congestion, then the ICMP protocol is used to inform the sender that the datagram is undeliverable.
- An ICMP protocol mainly uses two terms:
 - **ICMP Test:** ICMP Test is used to test whether the destination is reachable or not.
 - **ICMP Reply:** ICMP Reply is used to check whether the destination device is responding or not.
- The core responsibility of the ICMP protocol is to report the problems, not correct them. The responsibility of the correction lies with the sender.
- ICMP can send the messages only to the source, but not to the intermediate routers because the IP datagram carries the addresses of the source and destination but not of the router that it is passed to.

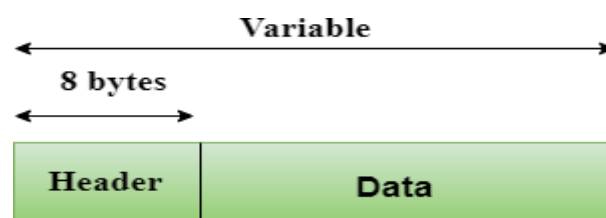
iii) Transport Layer

The transport layer is responsible for the reliability, flow control, and correction of data which is being sent over the network.

The two protocols used in the transport layer are: a) **User Datagram protocol**
b) **Transmission control protocol.**

a) User Datagram Protocol (UDP)

- It provides connectionless service and end-to-end delivery of transmission.
- It is an unreliable protocol as it discovers the errors but not specify the error.
- User Datagram Protocol discovers the error, and ICMP protocol reports the error to the sender that user datagram has been damaged.
- **UDP consists of the following fields:**
 - Source port address:** The source port address is the address of the application program that has created the message.
 - Destination port address:** The destination port address is the address of the application program that receives the message.
 - Total length:** It defines the total number of bytes of the user datagram in bytes.
 - Checksum:** The checksum is a 16-bit field used in error detection.
- UDP does not specify which packet is lost. UDP contains only checksum; it does not contain any ID of a data segment.



Header Format

Source port address 16 bits	Destination port address 16 bits
Total length 16 bits	Checksum 16 bits

b) Transmission Control Protocol (TCP)

- It provides a full transport layer services to applications.
- It creates a virtual circuit between the sender and receiver, and it is active for the duration of the transmission.
- TCP is a reliable protocol as it detects the error and retransmits the damaged frames. Therefore, it ensures all the segments must be received and acknowledged before the transmission is considered to be completed and a virtual circuit is discarded.
- At the sending end, TCP divides the whole message into smaller units known as segment, and each segment contains a sequence number which is required for reordering the frames to form an original message.
- At the receiving end, TCP collects all the segments and reorders them based on sequence numbers.

iv) Application Layer

- An application layer is the topmost layer in the TCP/IP model.
- It is responsible for handling high-level protocols, issues of representation.
- This layer allows the user to interact with the application.
- When one application layer protocol wants to communicate with another application layer, it forwards its data to the transport layer.
- There is an ambiguity occurs in the application layer. Every application cannot be placed inside the application layer except those who interact with the communication system. For example: text editor cannot be considered in application layer while web browser using **HTTP** protocol to interact with the network where **HTTP** protocol is an application layer protocol.

Following are the main protocols used in the application layer:

- **HTTP:** HTTP stands for Hypertext transfer protocol. This protocol allows us to access the data over the world wide web. It transfers the data in the form of plain text, audio, video. It is known as a Hypertext transfer protocol as it has the efficiency to use in a hypertext environment where there are rapid jumps from one document to another.
- **SNMP:** SNMP stands for Simple Network Management Protocol. It is a framework used for managing the devices on the internet by using the TCP/IP protocol suite.
- **SMTP:** SMTP stands for Simple mail transfer protocol. The TCP/IP protocol that supports the e-mail is known as a Simple mail transfer protocol. This protocol is used to send the data to another e-mail address.
- **DNS:** DNS stands for Domain Name System. An IP address is used to identify the connection of a host to the internet uniquely. But, people prefer to use the names instead of addresses. Therefore, the system that maps the name to the address is known as Domain Name System.
- **TELNET:** It is an abbreviation for Terminal Network. It establishes the connection between the local computer and remote computer in such a way that the local terminal appears to be a terminal at the remote system.
- **FTP:** FTP stands for File Transfer Protocol. FTP is a standard internet protocol used for transmitting the files from one computer to another computer.

Comparison between TCP/IP and OSI model

TCP/IP	OSI
TCP refers to Transmission Control Protocol.	OSI refers to Open Systems Interconnection.
TCP/IP has 4 layers.	OSI has 7 layers.
TCP/IP is more reliable	OSI is less reliable
TCP/IP does not have very strict boundaries.	OSI have strict boundaries.
TCP/IP follow a horizontal approach.	OSI follow a vertical approach.
TCP/IP uses both session and presentation layer in the application layer itself.	OSI uses different session and presentation layers.
TCP/IP developed protocols then model.	OSI developed model then protocol.
Transport layer in TCP/IP does not provide assurance delivery of packets.	In OSI model, transport layer provides assurance delivery of packets.
TCP/IP model network layer only provides connection less services.	Connection less and connection oriented both services are provided by network layer in OSI model.
Protocols cannot be replaced easily in TCP/IP model.	While in OSI model, Protocols are better covered and is easy to replace with the change in technology.